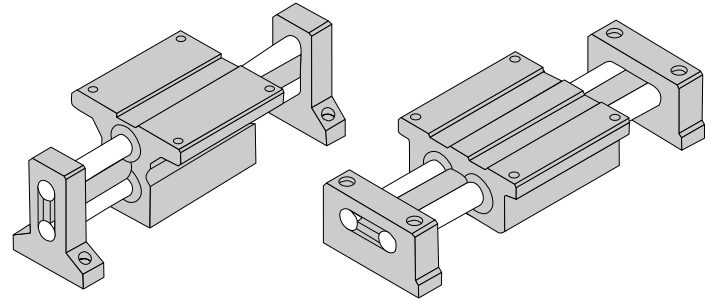


# Twin Shaft Web\* 2CA

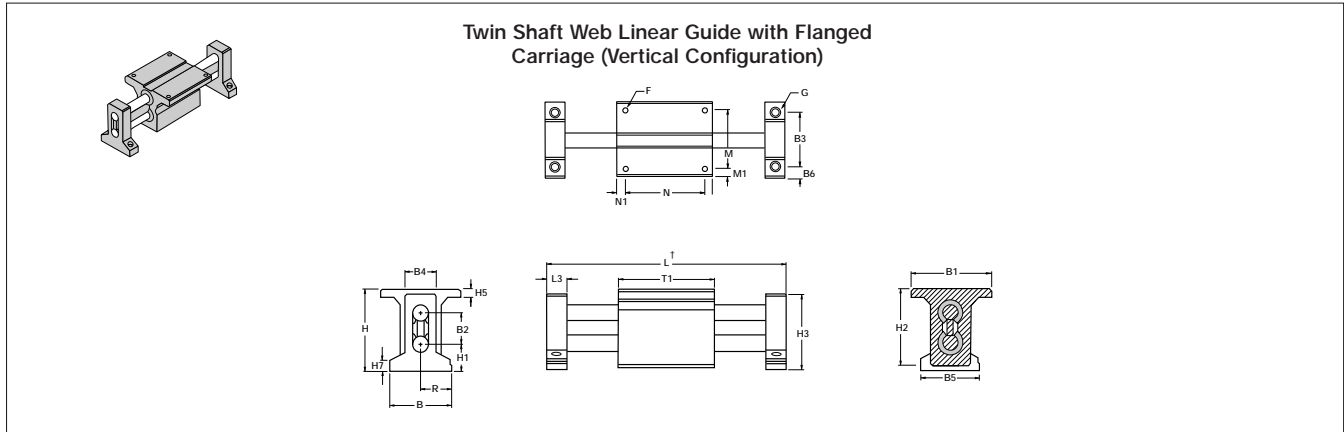
## Linear Guide #14

with Flanged Carriage

*Unpack and Install*



**INCH**



**Twin Shaft Web Linear Guide End Supported 2CA (Vertical Configuration)** (Dimensions in inches)

Part Number	Nominal Diameter	L3	H	H1	H3	H7	B	R	B2	B3	B4	B6	T1	N
2CA-08-OKA	.50	.63	2.750	.875	2.56	.38	2.25	1.125	1.13	1.63	1.12	.31	3.5	3.00
2CA-12-OKA	.75	.75	3.625	1.125	3.44	.56	3.00	1.500	1.50	2.25	1.63	.38	4.5	4.00
2CA-16-OKA	1.00	1.00	4.625	1.375	4.50	.75	4.00	2.000	2.00	3.00	2.25	.50	6.0	5.25

**Twin Shaft Web Linear Guide End Supported 2CA (Vertical Configuration)** (Dimensions in inches)

Part Number	N1	H2	H5	B1	B5	M	M1	F	G		Max. Stroke Length	Twin Shaft Web Part Number
									Bolt	Hole		
2CA-08-OKA	.25	2.62	.37	3.5	1.5	3.00	.25	#10-32	#10	.22	L-(4.75)	TSW-08
2CA-12-OKA	.25	3.50	.50	4.5	2.0	4.00	.25	1/4-20	1/4	.28	L-(6.00)	TSW-12
2CA-16-OKA	.38	4.50	.62	6.0	2.5	5.25	.38	5/16-18	5/16	.34	L-(8.00)	TSW-16

**2CA (Vertical Configuration) Flanged Carriage and End Support Part No.**

Linear Guide Part Number	Carriage Part Number	End Support Part Number
2CA-08-OKA	FWC-08-V	WSB-08-V
2CA-12-OKA	FWC-12-V	WSB-12-V
2CA-16-OKA	FWC-16-V	WSB-16-V

† Maximum Overall Length is 72 inches.

**Shaft Deflection Note:**

Load limit may be below the dynamic load rating due to shaft deflection. Bearings can accommodate up to 1/2° deflection.

See Engineering Section (pg 204) for Deflection calculations.

### Twin Shaft Web\* Linear Guide

#### 2CA Benefits:

- Used when spanning or bridging a gap.
- Double LinearRace\* Shaft and welded integral web design maximizes torque and dramatically improves deflection characteristics.
- Pre-aligned for quick and easy installation.
- Designed to move medium loads with virtually frictionless travel.
- Flanged carriage provides a larger mounting surface.

### Twin Shaft Web Linear Guide

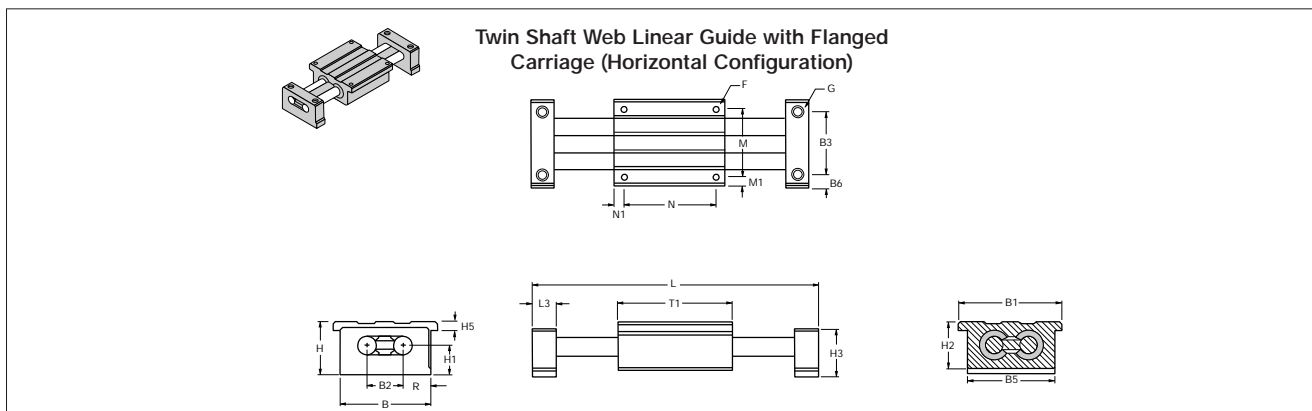
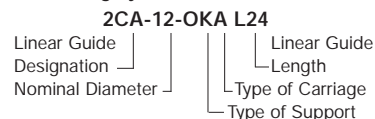
#### 2CA Components: †

- Flanged integrated, carriage with 4 open type Super Smart Ball Bushing\* bearings.
- Twin welded 60 Case\* LinearRace shafts with integral web.
- 2 vertical or horizontal double end supports.

#### Specifying this Thomson Linear Guide:

1. Determine the proper Linear Guide for your load and life requirements.
2. Select the part number.
3. Add the letter "L" followed by the overall length in inches, as a suffix to the part number.

#### Part Numbering System



#### Twin Shaft Web Linear Guide End Supported 2CA (Vertical Configuration) (Dimensions in inches)

Part Number	Nominal Diameter	L3	H	H1	H3	B	R	B2	B3	B6	T1	N
2CA-08-OMB	.50	.63	1.625	.875	1.5	2.62	.75	1.13	2.00	.31	3.5	3.00
2CA-12-OMB	.75	.75	2.125	1.125	2.0	3.50	1.00	1.50	2.75	.37	4.5	4.00
2CA-16-OMB	1.00	1.00	2.625	1.375	2.5	4.50	1.25	2.00	3.62	.50	6.0	5.25

#### Twin Shaft Web Linear Guide End Supported 2CA (Horizontal Configuration) (Dimensions in inches)

Part Number	N1	B1	B5	M	M1	H2	H5	F	Bolt	Hole	Max. Stroke Length	Twin Shaft Web Part Number
2CA-08-OMB	.25	3.5	2.62	3.00	.25	1.5	.37	#10-32	#10	.22	L-(4.75)	TSW-08
2CA-12-OMB	.25	4.5	3.50	4.00	.25	2.0	.50	1/4-20	1/4	.28	L-(6.00)	TSW-12
2CA-16-OMB	.38	6.0	4.50	5.25	.38	2.0	.62	5/16-18	5/16	.34	L-(8.00)	TSW-16

#### 2CA (Horizontal Configuration) Flanged Carriage and End Support Part No.

Linear Guide Part Number	Carriage Part Number	End Support Part Number
2CA-08-OMB	FWC-08-H	WSB-08-H
2CA-12-OMB	FWC-12-H	WSB-12-H
2CA-16-OMB	FWC-16-H	WSB-16-H

#### Dynamic Load Capacity Matrix (4 million inches travel)

Linear Guide Assembly Part No.	Dynamic Load Capacity (lbf) (Even Distribution)	Dynamic Roll Moment Capacity (in - lbf)
2CA-08-OKA	290	165
2CA-12-OKA	1800	1350
2CA-16-OKA	3000	3000
2CA-08-OMB	290	165
2CA-12-OMB	1800	1350
2CA-16-OMB	3000	3000

† Super Ball Bushing\* bearings are used in .500 inch size carriages.